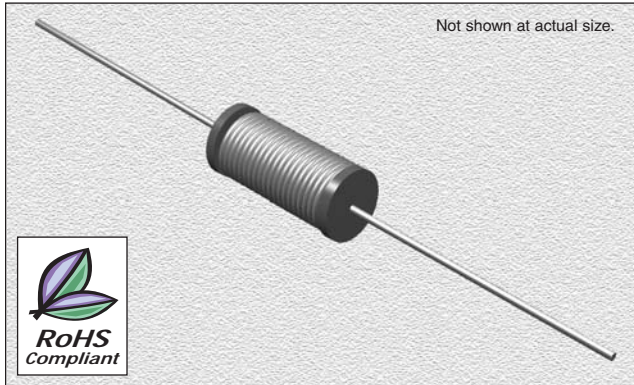


## CTH7VF Series

From 3.9  $\mu\text{H}$  to 18,000  $\mu\text{H}$

### SPECIFICATIONS

Parts are available in  $\pm 10\%$  tolerance only



### CHARACTERISTICS

**Description:** Axial leaded power line inductor (clear varnish coated)

**Applications:** Used in switching regulators, power amplifiers, power supplies, SCR and Triac controls, speaker crossover networks, RFI suppression and filters. Various applications

**Operating Temperature:**  $-55^{\circ}\text{C}$  to  $+125^{\circ}\text{C}$

**Inductance Tolerance:**  $\pm 10\%$

**Testing:** Inductance is tested on an HP4284A at 1.0 kHz

**Packaging:** Bulk pack standard, Tape & Reel available. Lead length (dimension C) is 20mm max. for parts packaged tape & reel.

**Marking:** Marked with color dots

**Saturation Current:** Lowers inductance by 10%

**Bobbin:** High saturation, allows for high inductance with low DC resistance

**Miscellaneous:** **RoHS Compliant.** Higher current parts available

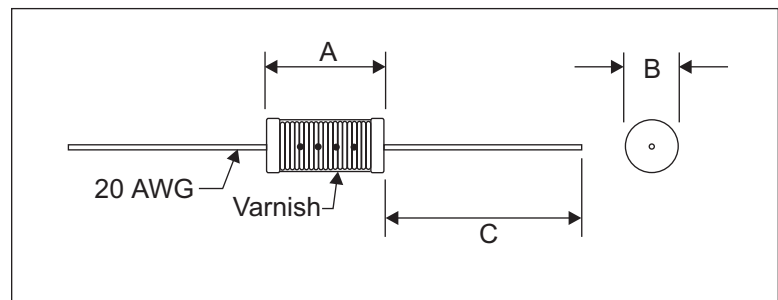
**Additional Information:** Additional electrical & physical information available upon request

**Samples available. See website for ordering information.**

Part Number	Inductance ( $\mu\text{H}$ )	L Test Freq. (kHz)	SRF Min. (MHz)	DCR Max. ( $\Omega$ )	Saturation DC (A)	Rated AC (A)
CTH7VF-3R9K	3.9	1.0	38	.02	7.3	1.3
CTH7VF-4R7K	4.7	1.0	26	.02	6.3	1.3
CTH7VF-5R6K	5.6	1.0	25	.02	5.6	1.3
CTH7VF-6R8K	6.8	1.0	25	.03	5.3	1.3
CTH7VF-8R2K	8.2	1.0	22	.03	4.5	1.3
CTH7VF-100K	10	1.0	17	.03	4.1	1.3
CTH7VF-120K	12	1.0	16	.04	3.6	1.3
CTH7VF-150K	15	1.0	12	.04	3.3	1.3
CTH7VF-180K	18	1.0	11	.04	3.0	1.3
CTH7VF-220K	22	1.0	10	.05	2.7	1.3
CTH7VF-270K	27	1.0	7.0	.06	2.5	1.3
CTH7VF-330K	33	1.0	7.0	.08	2.2	1.0
CTH7VF-390K	39	1.0	7.0	.09	2.0	.80
CTH7VF-470K	47	1.0	6.0	.11	1.8	.80
CTH7VF-560K	56	1.0	6.0	.13	1.7	.80
CTH7VF-680K	68	1.0	7.0	.14	1.5	.80
CTH7VF-820K	82	1.0	4.0	.15	1.4	.80
CTH7VF-101K	100	1.0	3.0	.21	1.2	.63
CTH7VF-121K	120	1.0	3.0	.28	1.1	.51
CTH7VF-151K	150	1.0	3.0	.34	1.0	.51
CTH7VF-181K	180	1.0	3.0	.36	.95	.51
CTH7VF-221K	220	1.0	3.0	.43	.86	.51
CTH7VF-271K	270	1.0	2.0	.56	.77	.40
CTH7VF-331K	330	1.0	2.0	.67	.70	.40
CTH7VF-391K	390	1.0	2.0	.77	.64	.40
CTH7VF-471K	470	1.0	2.0	1.2	.59	.32
CTH7VF-561K	560	1.0	1.0	1.3	.54	.32
CTH7VF-681K	680	1.0	1.0	1.6	.49	.25
CTH7VF-821K	820	1.0	1.0	2.0	.44	.20
CTH7VF-102K	1000	1.0	1.0	2.3	.40	.20
CTH7VF-122K	1200	1.0	1.0	2.7	.35	.20
CTH7VF-152K	1500	1.0	.85	3.5	.33	.16
CTH7VF-182K	1800	1.0	.67	4.0	.29	.16
CTH7VF-222K	2200	1.0	.65	4.5	.27	.16
CTH7VF-272K	2700	1.0	.65	5.4	.24	.13
CTH7VF-332K	3300	1.0	.60	6.6	.22	.13
CTH7VF-392K	3900	1.0	.60	8.6	.20	.10
CTH7VF-472K	4700	1.0	.50	9.7	.18	.10
CTH7VF-562K	5600	1.0	.60	14	.16	.08
CTH7VF-682K	6800	1.0	.40	16	.15	.08
CTH7VF-822K	8200	1.0	.35	21	.13	.07
CTH7VF-103K	10000	1.0	.30	26	.12	.05
CTH7VF-123K	12000	1.0	.25	30	.11	.05
CTH7VF-153K	15000	1.0	.30	43	.10	.04
CTH7VF-183K	18000	1.0	.30	48	.09	.04

### PHYSICAL DIMENSIONS

Size	A	B	C	20 AWG
	Max.	Max.	Typ.	Nom.
mm	15.3	6.85	29.2	0.813
inches	0.6	0.27	1.15	0.319



04.24.08